

BLADE

R&D POLIFORM (2014)



DESCRIPTION

A table with strikingly simple silhouettes that interprets the most elementary geometric shape. Bold combinations of simple and light-weight shapes with the sturdiness of the material, namely solid wood.

Poliform

BLADE

R&D POLIFORM (2014)

TECHNICAL DESCRIPTION

TIPOLOGY

fixed table

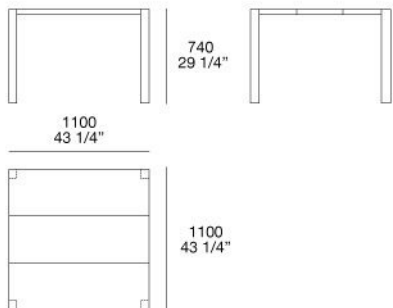
LEGS AND TOP

solid canaletto walnut wood - solid black elm dyed wood

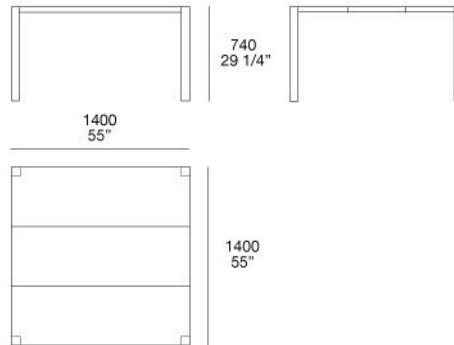
BLADE

R&D POLIFORM (2014)

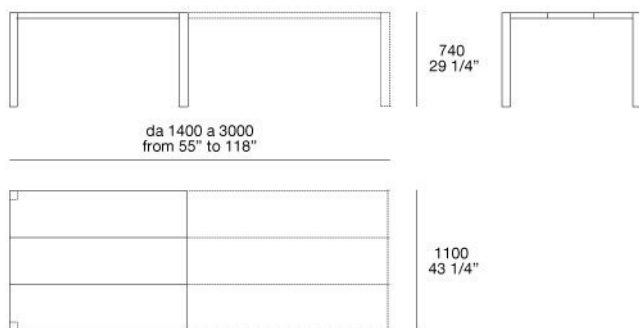
TBL110



TBL140

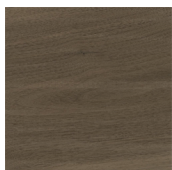


TBL300



BLADE

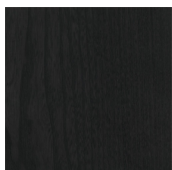
FINISHINGS\TAVOLO\SOLID WOOD (1)



CANALETTO
WALNUT

BLADE

FINISHINGS\TAVOLO\SOLID BLACK ELM DYED WOOD (1)



SOLID BLACK
ELM DYED
WOOD