

MATHIEU

EMMANUEL GALLINA (2017)



DESCRIPTION

Mathieu, a desk with a slender silhouette, where the gentle curves of the top are in complete harmony with the elegance of the clean lines of the structure. The mix of materials (hide, wood, and metal) are enhanced by their very contrast. A refined design solution yet that doesn't lack functionality, also thanks to the drawer that conceals itself quite discreetly.

Poliform

MATHIEU

EMMANUEL GALLINA (2017)



TECHNICAL DESCRIPTION

TPOLOGY

writing desk

TOP

solid wood frame and medium-density fibre panel

INSERT

medium-density fibre panel covered in hide

LEGS

in painted metal

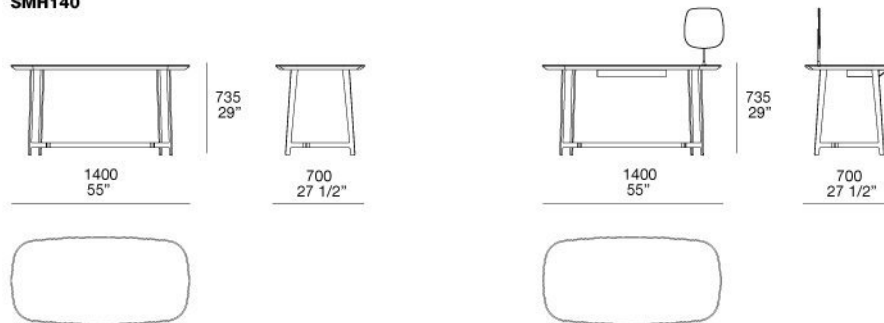
FEATURES

optional drawer and mirror

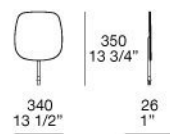
MATHIEU

EMMANUEL GALLINA (2017)

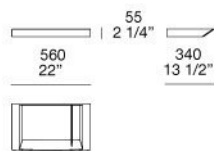
SMH140



SP001

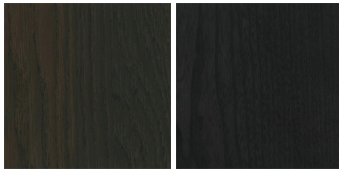


CA001



MATHIEU

FINISHINGS\FRAME\WOODS (2)

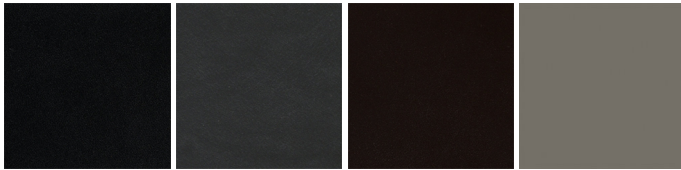


SPESSART
OAK

BLACK ELM

MATHIEU

FINISHINGS\TOP\HIDE (4)



2 NERO

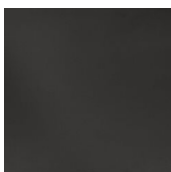
3 GRIGIO
SCURO

19 CAFFÉ

29 TORTORA

MATHIEU

FINISHINGS\STRUCTURE\ BROWN NICKEL MAT PAINTED (1)



BROWN
NICKEL MAT
PAINTED

MATHIEU

FINISHINGS\STRUCTURE\GLOSSY PAINTEDBROWN NICKEL (1)



GLOSSY
PAINTEDBRO
WN NICKEL